

TOP DOG IN THE DIRT

M-28U
ZERO TAILSWING MINI EXCAVATOR



M-38U
ZERO TAILSWING MINI EXCAVATOR



1800 425 438
huskiconstructionequipment.com.au



FEATURES

- Innovative design with the tail always remaining within the width of the tracks (Zero Tail Swing)
- Fully servo-controlled machine: the boom swing and the P.T.O. are controlled by rollers on the joy-stick (no pedals in the cab)
- Straight travel contemporary with all arms/bucket manoeuvring
- Rollers and idler wheels with rolling bushing for a remarkable increasing in the traction and life time performances
- Gear motors shift automatically from the second to the first speed (AUTO TWO SPEED)

STANDARD EQUIPMENT

- Canopy according to TOPS-FOPS norms
- Standard bucket of 450 mm (SAE capacity Lt. 64)
- 2-speeds travel electric switch
- Hydraulic Power Take-Off (P.T.O.)
- Oil recovering system on dipstick ram
- For M-28U 1200 mm. Long dipstick
- For M-38U 1350 mm. Long dipstick

OPTIONAL EQUIPMENT

- Buckets of (mm) 250, 350, 450, 500, standard, for rocks and for Quick Hitches – Bucket for slopes, standard or swivelling
- Buckets for cleaning • Hydraulic breaker • Hand breaker
- Hydraulic drill • Grass-bush cutter • Steel tracks
- Cab with heating according to TOPS norms • Air conditioning
- Tilting dozer blade
- For M-28U 1500 mm longer arm (200 Kg extra ballast compulsory)
- For M-38U 1700 mm longer arm

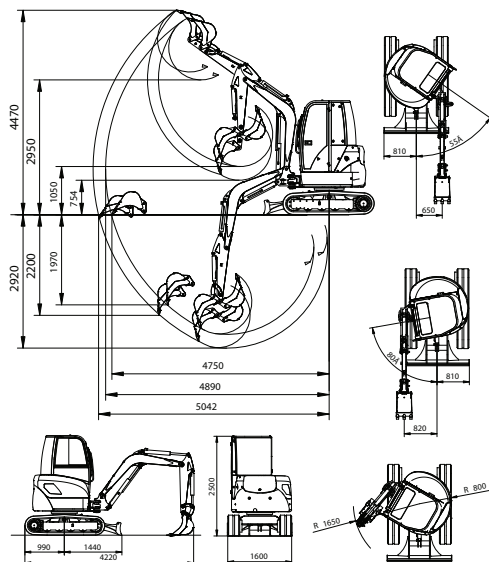
TECHNICAL DATA

Model	M-28U	M-38U
ENGINE		
Engine Model	KUBOTA D1703M	
Max power at 2800 rpm (DIN 6271)	HP/Kw	37.2 / 27.4
M-28U Rated power at 2200 rpm	HP/Kw	34 / 25
M-38U Rated power at 2400 rpm	HP/Kw	36 / 26.5
Cylinders	N°	3
Displacement	cm ³	1647
Cooling	Water	
Battery	N°	1 – 12 V – 80 Ah

Model	M-28U	M-38U	
HYDRAULIC SYSTEM			
Hydrostatic transmission with orbital motors and planetary reduction gears with negative brakes			
Travelling counter-balance valves			
N. 2 variable displacement piston pumps + gear pump	Lt/min	32.5 x 2 + 26.5	35.4 x 2 + 28.9
Total delivery	Lt/min	91.5	100
Auxiliary hydraulic flow for P.T.O	Lt/min	59	64.5
Max working pressure	Bar	250 / 230	
Slew speed (with piston motors & negative brake)	RPM	9.0	10.0
Boom, arm, bucket and slew actuated by servo-controlled joysticks.			
Proportional servo-controlled rollers on the joy-sticks for the boom swing and the single and double effect P.T.O.			
Lever to control track and dozer blade			
Heat exchanger for oil cooling			
UNDERCARRIAGE			
Box section steel frame			
Track type and width	mm	Rubber 300	
Track bearing rollers	N°	4+4 low / 1+1 up	
Track tensioning	Grease		
Dozer blade	mm	300x1620	310x1760
PERFORMANCES			
Shipping weight with canopy	Kg	2750	3350
Operating weight with canopy	Kg	2850	3450
Shipping weight with cab	Kg	2900	3500
Operating weight with cab	Kg	3050	3600
Break out force	daN	2620	3100
Digging force	daN	1725	1950
Travel speed	Km/h	2.4 / 4.3	2.2 / 4.3
Max gradient capacity	Over %	100	100
Specific ground pressure	Kg/cm ²	0.28	0.328
REFUELLING			
Fuel tank capacity	Lt	35	
Hydraulic oil tank capacity	Lt	56	

DIMENSIONS & PERFORMANCES (MM)

M-28U



M-38U

