

TOP DOG IN THE DIRT

M-55U
ZERO TAILSWING
MINI EXCAVATOR



M-60U
ZERO TAILSWING
MINI EXCAVATOR



1800 425 438

huskiconstructionequipment.com.au



FEATURES

- Innovative design with the tail always remaining within the width of the tracks (Zero TailSwing)
- Suspension and adjustable operator's seat increases productivity by providing optimum comfort
- Travel levers and servo-controls disabling system by armrest lifting prevents accidents due to unexpected machine movement during entry or exit
- Pilot assisted controls (joy-sticks) to operate arms and buckets

STANDARD EQUIPMENT

- Cab with heating system according to TOPS norms
- Standard bucket of 600 mm (SAE capacity Lt. 157)
- 2-speeds travel electric switch
- Hydraulic Power Take-Off (P.T.O.)
- Automatic transmission system
- Monoboam on M-55U
- Articulated boom and extra-ballast on M-60U

OPTIONAL EQUIPMENT

- Buckets from 300 – 1000 mm standard, for rocks and for Quick Hitches – Bucket for slopes, standard or swivelling
- Buckets for cleaning • Hydraulic breaker • Hand breaker
- Mechanical or hydraulic Quick Hitches
- Hydraulic drill • Grass-bush cutter • Steel tracks
- 1850 mm longer arm • Air conditioning

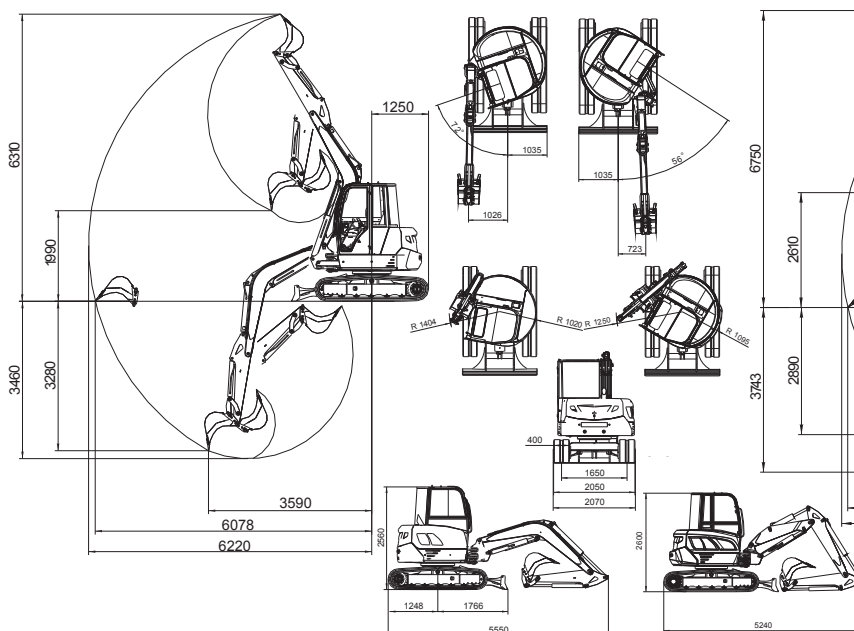
TECHNICAL DATA

Model	M-55U	M-60U
ENGINE		
Engine Model	KUBOTA V2403M-T TURBO	
Max power at 2700 rpm (DIN 6271)	HP/Kw	59 / 44
Rated horse power at 2200 rpm	HP/Kw	52 / 38
Cylinders	N°	4
Displacement	cm ³	2434
Cooling	Water	
Battery	N°	1 – 12 V – 105 Ah

Model	M-55U	M-60U
HYDRAULIC SYSTEM		
Hydrostatic transmission with piston motors and planetary reduction gears with negative brakes and automatic shift		
Travelling counter-balance valves		
N. 2 variable displacement piston pumps + N. 1 gear pump	Lt/min	60 x 2 + 45
Total delivery	Lt/min	165
Auxiliary hydraulic flow for P.T.O	Lt/min	105
Max working pressure	Bar	250 / 220
Slew speed (with piston motors & negative brake)	RPM	9.0
Hydraulic servo-controlled joystick to operate bucket, arms, slew		
Hydraulic servo-controlled pedals for driving, off-setting and simple/double effect P.T.O		
Lever control for the refilling blade		
Combined radiator for water and oil		
UNDERCARRIAGE		
Track type and width	mm	Rubber 400
Track bearing rollers	N°	5+5 low / 1+1 up
Track tensioning	Grease	
Dozer blade	mm	370 x 2070
PERFORMANCES		
Shipping weight	Kg	5100 5600
Operating weight	Kg	5250 5750
Break out force	daN	3970
Digging force	daN	2900
Travel speed	Km/h	2.7 / 4.7
Max gradient capacity	Over %	100
Specific ground pressure	Kg/cm ²	0.330
REFUELLING		
Fuel tank capacity	Lt	80
Hydraulic oil tank capacity	Lt	50

DIMENSIONS & PERFORMANCES (MM)

M-55U



M-60U

